

## FIGURE FINDER® FAT-O-METER®



The Fat-O-Meter™ has proven itself through the years as a leader in the very competitive skinfold caliper market. **Before you buy another caliper, ask yourself these questions:**

- Is it Spring loaded?
- Has it been thoroughly researched?
- Does it include complete, current instructions written by a sports medicine expert?
- Is it easy-to-use?
- Is it a convenient, compact size? Not cumbersome.
- Is it economically priced?

**00003** ..... Refer to price sheet

## EXER-COR®

**Cross  
Pattern  
Creeper  
Therapy  
Device  
Aerobic  
Exerciser**



Physical therapists and other medical professionals use this unique device with people who have special exercise needs.

- Persons with back pain use this device for exercise and rehabilitation. Ask your Osteopath, Chiropractor, or M.D..
- Excellent for persons with physical limitations such as varicose veins, foot problems, M.S., and/or C.P. who need medically supervised exercise, but can't use any other exercisers or exercise modalities.
- Persons for whom a horizontal exercise is indicated will experience maximal benefits with minimal ill effects.

**00001** ..... Refer to price sheet

## STADI-O-METER

Tall or short, age 2 to 102, basketball coach or pediatrician, we have what you have been asking for in a Stadi-o-meter. Measures from 30" to 84", so you seldom have a person off the scale at either end.

The easy to use Stadi-o-meter installs in minutes and is guaranteed accurate  $\pm 1/16"$  over the full length, accurate enough for most research projects since individual stature is affected by activities, time of day and foot gear.

The magnetically attached flip down measuring arm is constructed of durable, washable, molded plastic. The arm slides easily in the self-centering track. The patented magnetic break-away design insures an extra measure of safety.

### Look For These Special Features:

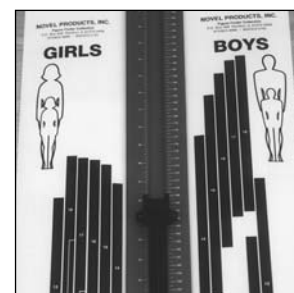
- Measures with guaranteed accuracy from 30" to 84".
- Easy-slide flip-down measuring arm with magnetic attachment for added safety.
- High quality formed steel construction with durable finish.
- Easy assembly and mounting.

**00014** ..... Stadi-O-Meter . . . Refer to price sheet

### Stadi-O-Meter



### Growth Guide



This **Growth Guide** is an accessory for the Stadi-O-Meter designed and developed to provide growth information for children between the ages of 2 and 18. The range shown by age and sex represents the height of 90% of the population in that group. Thus, 5% will be taller and 5% will be shorter than the range shown.

Two silk-screened durable sheets to be mounted on either side of the Stadi-O-Meter. One displaying growth information for boys, and the other for girls.

**00006** ..... Growth Guide ..... Refer to price sheet



## FIGURE FINDER COLLECTION NOVEL PRODUCTS, INC.

P.O. Box 408 • Rockton, IL 61072-0409 • 1-815-624-4888 • Fax 1-815-624-4866  
Website: www.NovelProducts.com E-Mail: NovelProd@aol.com

**Phone Order to 1-800-323-5143** (Continental U.S.A.)





## Flex-Tester® Sit and Reach Box

The Flex-tester has all of the most popular test scale and room to add the scale you prefer. Added scales can be in both inches or centimeters.

- *Easy-to-read scales are provided in both inches and centimeters for your convenience.*
- *Maximum reach indicator requires less personnel and less time.*
- *Special foot plate prevents slipping and eliminates the need to prop this flexibility tester against the wall.*
- *Flat shipping, storage, and disassembly feature keeps space requirements to a minimum and allows for assembly without tools.*
- *Durable all steel construction and easy assembly makes this an excellent long-term investment.*

00004 . . . . . Refer to price sheet



## Figure Finder® Tape Measure

Until now, the only way to get accurate readings when taking circumferences on people was to pay \$30 for a special tape measure, and it still didn't give you the accuracy of the Figure Finder. Check the accuracy of, and guarantee of your current tape measure and compare.

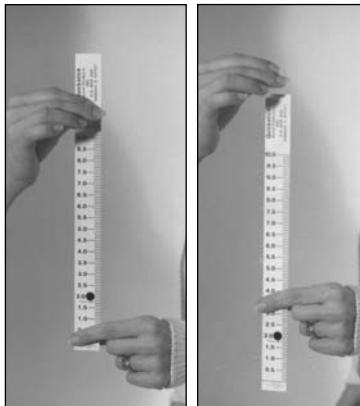
- *Consistent repeatable 4 ounces of tension.*
- *Made of stretch resistant material.*
- *Detailed instructions including % fat.*
- *Includes a limited warranty.*
- *Accuracy guaranteed to 3/32" over 60" length.*
- *Wipes clean with a mild detergent.*

00005 . . . . . Refer to price sheet

## Quickstick Reaction Time Tester

- *Add excitement and fun to your classroom.*
- *Increases awareness of the importance of quick reflexes and concentration in reaction time.*
- *Make health screening more interesting and meaningful.*
- *Illustrate reaction to driver education students.*
- *Senior citizens groups have fun while performing meaningful tests.*
- *Made of tough, durable lexan plastic.*

The **Quickstick** reaction time test is an inexpensive, easy, and fun way to illustrate the amount of attention and concentration that is required to react quickly. The ability to react quickly is often the difference between a .300 hitter or a bench-warmer, a touchdown or incomplete pass, or a safe driver and a traffic statistic.

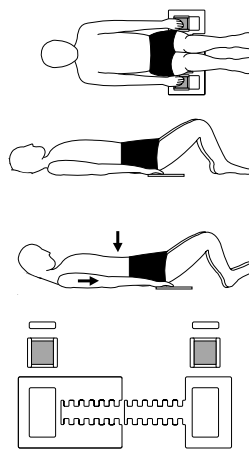


School packages include suggestions and variations on the basic test, which help focus on concentration and other reaction time factors.

- |  |       |
|--|-------|
| Individual<br>(1 quickstick)           | 00016 |
| Class Size Kit<br>(15 quicksticks)     | 00017 |
| District Size Kit<br>(150 quicksticks) | 00018 |

Refer to price sheet

## CRUNCH-STER® II Curl-Up Tester



(PAT.5,300,004)

The CRUNCH-STER makes it possible to conduct truly meaningful sit-up/crunch tests on students in grades K through 12. By controlling the stroke length of the test to 3" for K through 4 and 4-1/2" for grades 5 through 12, sit-up tests can now be meaningful. The CRUNCH-STER is easily adjusted for age groups and for body widths.

All parts of the CRUNCH-STER store in our convenient carrying pouch. With complete detailed instructions written by one of nation's leading Exercise Physiologist, you are buying the expertise of the pros and the quality NOVEL PRODUCTS, INC. is known for.

### The Design Criteria Makes the Difference

- *Durable plastic construction.*
- *Non-slip foam hand pads.*
- *Quickly adjusts for small and large body widths, from small children to adults.*
- *Won't damage gym floors.*
- *Takes the guess work out of crunch testing.*
- *Special plastic storage container.*
- *One unit works for grades K through 12.*
- *Instructions by a leading exercise physiologist.*

27147 . . . . . Refer to price sheet

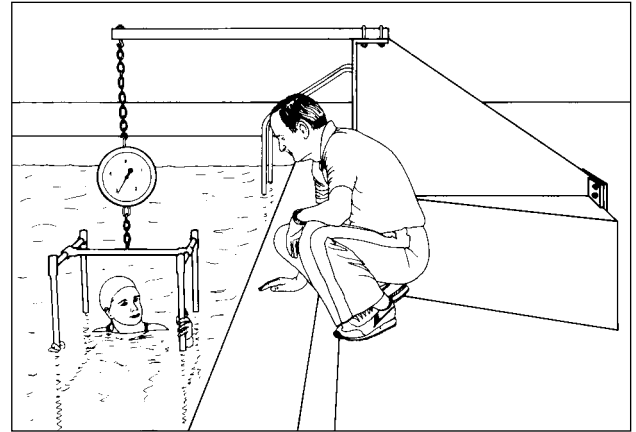
# HYDROSTAND POOLSIDE WATER WEIGHT SYSTEM

## HYDROSTATIC WEIGHING IN YOUR EXISTING SWIMMING POOL

### The Design Makes It Practical

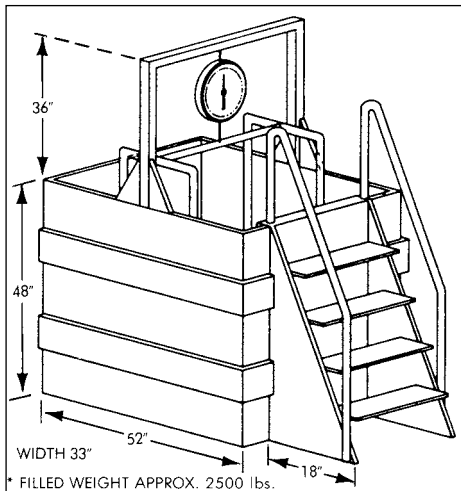
- *Welded Polypropylene construction lasts for years.*
- *Fits most pools since it can be positioned next to the curved or straight side of a large or small pool at a depth appropriate for proper measurement.*
- *No need for permanent mounting. Simply position, fill with water and use. When done, drain and carry back to storage.*
- *Quick set-up time should not interfere with normal pool operation. It takes no more than 15 minutes to set up and take down.*
- *Disassembles into pieces for compact storage in cabinets or filter room.*
- *Comes complete with weighted chair, scale, brackets, connections, parts, etc. (chain not included)*
- *Provides maximum safety when used as intended.*

**00008. . . . . Complete System . . . . . Refer to price sheet**  
**00019. . . . . Stand Only . . . . . Refer to price sheet**



An excellent way to check body fat percentage of club members, high school athletes, spa members, etc.

NOTE: Formulas and Hydrostatic weighing instructions are not provided.



# Hydro-Tank

## Hydrostatic Weight Tank

Quality, durability, and functional design at a price most institutions can afford make the Hydro-Tank a real bargain. Available in module form to stop the budget-busting problems associated with most hydrostatic weighing systems.

- *Welded polypropylene tank requires minimum assembly and maintenance.*
- *Access and egress stairs are an integral part of the tank.*
- *Water baffles, inlet, outlet overflow, and drain ports are securely welded to tank.*
- *Reduced operating costs due to low heat loss.*
- *Easy cleanup because walls repel dirt.*
- *Low installation and maintenance costs help your budget.*
- *Easily installed by skilled plumber and electrician.*

NOTE: Formulas and Hydrostatic weighing instructions are not provided.

### Total Package Price

**00023 . . . . . Refer to price sheet**

(cover, plumbing and shipping not included)  
 The tank is F.O.B. Indiana

- |                     |  |              |
|---------------------|--|--------------|
| TANK                | -including stairs, overhead support, stair railing, and all ports                  | <b>00024</b> |
| SPA-PAK             | -including pump, heater, filter, and all controls                                  | <b>00025</b> |
| CHAIR               | -standard lead-weighted heavy-duty tube construction                               | <b>00021</b> |
| SCALE               | -9" dial autopsy scale 15kg x 20g<br>(standard with the Hydro-tank and Hydrostand) | <b>00020</b> |
| COVER<br>(Optional) | -holds in heat and provides added safety during non-use times                      | <b>23051</b> |

**Refer to price sheet**

(Plumbing not included)  
 Please allow 6 - 8 weeks for shipment of all parts  
 Note: items are shipped from three locations

# ACUFLEX® I, II & III

A SOLUTION TO THE PROBLEM OF TESTING FLEXIBILITY!

## ACUFLEX I

Standard sit and reach tests use a reference point and test procedure which does not allow for variations in length of arms and legs of the person being tested. With long arms and short legs, you will do well. With long legs and short arms, you are at a great disadvantage. We have recognized the limits of the existing test and, in conjunction with several world renowned **sports medicine professionals**, have developed the ACUFLEX I Modified Sit & Reach Test. We have limited the variables and are **finally testing trunk and hamstring flexibility!**

- *Maximum reach indicator.*
- *Foot plate for greater accuracy.*
- *All steel construction.*
- *Adjustable tension on reach indicator.*
- *Complete instructions.*
- *Reads in inches and centimeters.*
- *Designed to do the new test, but can do the old test equally well.*
- *One-year limited warranty.*

00011 . . . . . Refer to price sheet

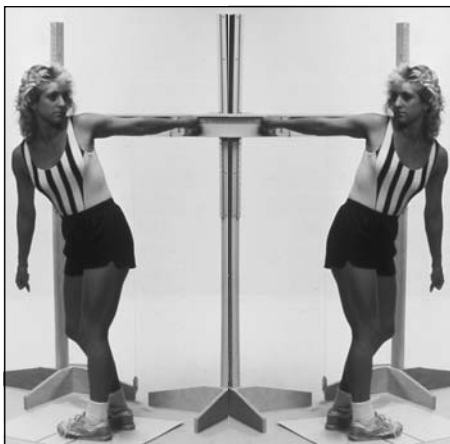
## ACUFLEX I

The Most Accurate Sit & Reach Tester Available



Assembles without tools

## ACUFLEX II



Stand not included (for display purposes only)

## ACUFLEX II

A Favorite of Golf Pros!

By agreement, this test is called "Trunk Rotation", but it actually tests the flexibility of a set of body parts, including ankles, knees, trunk, shoulder and neck. Limitations of any one of these parts will reflect on the test results. With ACUFLEX II, you can quickly and easily re-test and evaluate the effectiveness of your exercise programs. Doctors and other health professionals can use this device to measure flexibility as part of aging profiles, to test students and of course to test world class athletes.

- *Maximum reach indicator.*
- *Attractive design.*
- *Mounts on wall on 32" centers.*
- *Complete instructions.*
- *Reads in inches and centimeters.*
- *Quickly adjusts for the heights of children or adults.*
- *One-year limited warranty.*

00012 . . . . . Refer to price sheet

## ACUFLEX III

Shoulder rotation is a vital factor for many sports. Lack of flexibility may indicate possible arthritic development not only in geriatric population, but in athletes such as pitchers, quarterbacks, tennis players, etc. Many professionals who would like to perform this test do not have the calipers necessary to measure bicromial width. We recognized that the acceptance of this test depended on engineering this expensive caliper into our product. ACUFLEX III is all you need to perform this test.

- *Easy to use.*
- *Sturdy extruded aluminum construction.*
- *Complete detailed instructions.*
- *Reads in inches and centimeters.*
- *Bicromial width caliper built in.*
- *Shipped in storage box.*
- *One-year limited warranty.*

00013 . . . . . Refer to price sheet

## ACUFLEX III

The Shoulder Rotation Test

